



Online Application No. 23954

[I-21/152/2026-W&M Section]

GOVERNMENT OF INDIA/भारत सरकार  
MINISTRY OF CONSUMER AFFAIRS, FOOD AND PUBLIC DISTRIBUTION  
उपभोक्ता मामले, खाद्य एवं सार्वजनिक वितरण मंत्रालय  
DEPARTMENT OF CONSUMER AFFAIRS/ उपभोक्ता मामले विभाग  
LEGAL METROLOGY DIVISION/ विधिक मापविज्ञान प्रभाग

Krishi Bhawan/कृषि भवन, नई दिल्ली  
Dated/दिनांक- : 21. 05.2026

Certificate of Approval of Model/ मॉडल का अनुमोदन प्रमाणपत्र

Whereas the Central Government, after considering the report submitted to it by the prescribed authority, is satisfied that the model described in the said report is in conformity with the provisions of the Legal Metrology Act, 2009 (1 of 2010) and the Legal Metrology (Approval of Models) Rules, 2011 and the said model is likely to maintain its accuracy over periods of sustained use and to render accurate service under varied conditions;

Now, therefore, in exercise of the powers conferred by section 22 of the Legal Metrology Act, 2009 (1 of 2010) read with sub-rule (6) of rule 8 and sub-rule (4) of rule 11 of the Legal Metrology (Approval of Models) Rules, 2011, as per Schedule Seventh of the Legal Metrology (General) Rules, 2011, the Central Government hereby issues the certificate of approval of the model of non-automatic weighing instrument with digital indication of series "VNT" and with brand name "VEDSON" (hereinafter referred to as the said model), manufactured by M/s. Shri Ganesh Sales Plaza, Shop-51, Bus Stand, New Gharsana, Dist- Sri Ganganagar, Rajasthan-335707 and which is assigned the approval mark IND/09/26/240 (the picture of model is given below as figure 1);

**Technical Data:**

Type of Instrument	Electronic Tabletop type
Accuracy Class	Medium Accuracy (III)
Maximum Capacity	30kg
Minimum Capacity	100g
Verification Scale Interval	5g
Power Supply	230V, 50Hz
Display Unit	LED
Tare	Subtractive
Working Principle	Strain Gauge type load cell based
Load Cell	Make- RUDRA, Model No.- RSL 601 , Class – C3, Max. Capacity - 50 kg
Software Version	v1.5.0hex
Checksum	e24a8d3c12b7f5a89e1b2f7c0d95e6f3b7c3d2f9a1e 0b5c4d6a7b8c9d0e1f2a3



Figure 1

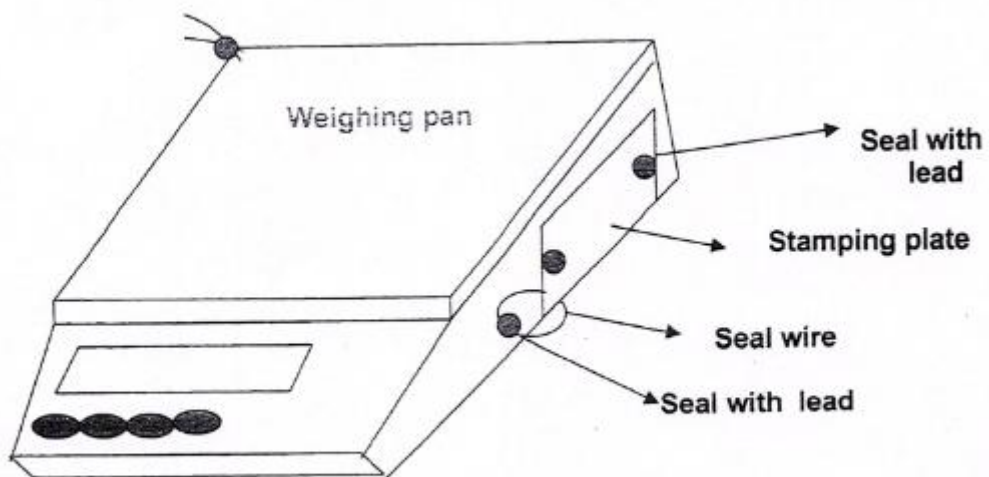


Figure 2

Sealing is done by passing the sealing wire through the holes provided on the body of machine. A lead seal is put at the end of the wire for stamping purpose (a typical schematic diagram of sealing provision to prevent the fraudulent practices of the model is given above



as Figure 2). A dip switch has also been provided in mother board/PCB to disable access to external calibration.

Further, in exercise of the power conferred by sub-rule (9) of rule 8 of the Legal Metrology (Approval of Models) Rules, 2011, the Central Government hereby declares that this certificate of approval of the said model shall also cover the weighing instruments of similar make, accuracy and performance of same series with capacity up to 50kg with number of verification scale interval (n) in the range of 500 to 10000 for 'e' value of 5g or more and with number of verification scale interval (n) in the range of 100 to 10000 for 'e' value of 100mg to 2g with 'e' value of  $1 \times 10^k$ ,  $2 \times 10^k$  or  $5 \times 10^k$ , where k is a positive or negative whole number or equal to zero manufactured by the same manufacturer in accordance with the same principle, design and with the same materials with which, the said approved model has been manufactured.

[F.No. I-21/152/2026-W&M Section]



(Ashutosh Agarwal/आशुतोष अग्रवाल)  
Director (Legal Metrology) to Govt. of India/ निदेशक (विधिक माप विज्ञान) भारत सरकार  
Phone/दूरभाष 01123389489  
Email/ई-मेल: [dirwm-ca@nic.in](mailto:dirwm-ca@nic.in)