



Online Application No. 23960

[I-21/118/2026-W&M Section]
GOVERNMENT OF INDIA/भारत सरकार
MINISTRY OF CONSUMER AFFAIRS, FOOD AND PUBLIC DISTRIBUTION
उपभोक्ता मामले, खाद्य एवं सार्वजनिक वितरण मंत्रालय
DEPARTMENT OF CONSUMER AFFAIRS/ उपभोक्ता मामले विभाग
LEGAL METROLOGY DIVISION/ विधिक मापविज्ञान प्रभाग

Krishi Bhawan/कृषि भवन, नई दिल्ली
Dated/दिनांक- : 22.04.2026.

Certificate of Approval of Model/ मॉडल का अनुमोदन प्रमाणपत्र

Whereas the Central Government, after considering the report submitted to it by the prescribed authority, is satisfied that the model described in the said report is in conformity with the provisions of the Legal Metrology Act, 2009 (1 of 2010) and the Legal Metrology (Approval of Models) Rules, 2011 and the said model is likely to maintain its accuracy over periods of sustained use and to render accurate service under varied conditions;

Now, therefore, in exercise of the powers conferred by section 22 of the Legal Metrology Act, 2009 (1 of 2010) read with sub-rule (6) of rule 8 and sub-rule (4) of rule 11 of the Legal Metrology (Approval of Models) Rules, 2011, as per Schedule Seventh of the Legal Metrology (General) Rules, 2011, the Central Government hereby issues the certificate of approval of the model of non-automatic weighing instrument with digital indication of series "RKS" and with brand name "SHARP," (hereinafter referred to as the said model), manufactured M/s. SHARP ELECTRONICS, SR NO 18/1, WAKAD ROAD, THERGAON, PUNE - 411033 Maharashtra and which is assigned the approval mark IND/09/26/184 (the picture of model is given below as figure 1);

Technical Data:

Type of Instrument	Multi interval Table top Type
Accuracy Class	Medium Accuracy (III)
Maximum Capacity	10kg/20kg/30 kg
Minimum Capacity	20g
Verification Scale Interval	1g/2g/5 g
Power Supply	230V AC
Display Unit	LED
Tare	Subtractive
Working Principle	Strain Gauge type load cell based
Load Cell	Make-SHARP, Model: SLC 601, Accuracy Class:C-3, Max. Capacity: 50kg
Software Version	Sharp Ak288n .hex
Checksum	d6f827f3ab551dc7befceea15c85808c



Figure 1

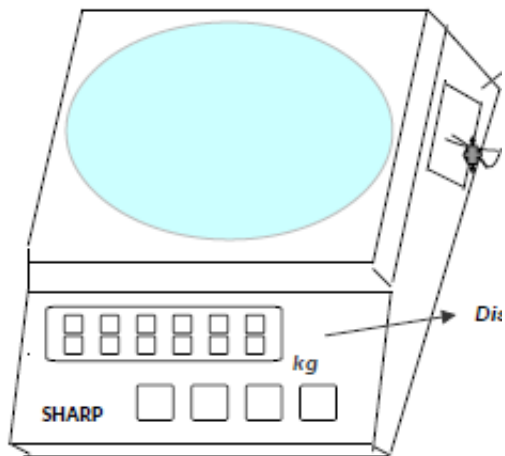


Figure 2



Sealing is done by passing the sealing wire through the holes provided on the body of machine. A lead seal is put at the end of the wire for stamping purpose (a typical schematic diagram of sealing provision to prevent the fraudulent practices of the model is given above as Figure 2). A dip switch has also been provided in mother board/PCB to disable access to external calibration.

Further, in exercise of the power conferred by sub-rule (9) of rule 8 of the Legal Metrology (Approval of Models) Rules, 2011, the Central Government hereby declares that this certificate of approval of the said model shall also cover the weighing instruments of similar make, accuracy and performance of same series with capacity up to 50kg with number of verification scale interval (n) in the range of 500 to 10000 for 'e' value of 5g or more and with number of verification scale interval (n) in the range of 100 to 10000 for 'e' value of 100mg to 2g with 'e' value of 1×10^k , 2×10^k or 5×10^k , where k is a positive or negative whole number or equal to zero manufactured by the same manufacturer in accordance with the same principle, design and with the same materials with which, the said approved model has been manufactured.

[F.No. I-21/118/2026-W&M Section]



(Ashutosh Agarwal/आशुतोष अग्रवाल)
Director (Legal Metrology) to Govt. of India/ निदेशक (विधिक माप विज्ञान) भारत सरकार
Phone/दूरभाष01123389489
Email/ई-मेल: dirwm-ca@nic.in