



[I-21/81/2026-W&M Section]
GOVERNMENT OF INDIA/भारत सरकार
MINISTRY OF CONSUMER AFFAIRS, FOOD AND PUBLIC DISTRIBUTION
उपभोक्ता मामले, खाद्य एवं सार्वजनिक वितरण मंत्रालय
DEPARTMENT OF CONSUMER AFFAIRS/ उपभोक्ता मामले विभाग
LEGAL METROLOGY DIVISION/ विधिक मापविज्ञान प्रभाग

Krishi Bhawan/कृषि भवन, नई दिल्ली
Dated/दिनांक:- 06.04.2026

Certificate of Approval of Model/ मॉडल का अनुमोदन प्रमाणपत्र

Whereas the Central Government, after considering the report submitted to it by prescribed authority, is satisfied that the model described in the said report (see the figure given below) is in conformity with the provisions of the Legal Metrology Act, 2009 (1 of 2010) and the Legal Metrology (Approval of Models) Rules, 2011 and the said model is likely to maintain its accuracy over periods of sustained use and to render accurate service under varied conditions;

Now, therefore, in exercise of the powers conferred by section 22 of the Legal Metrology Act, 2009 (1 of 2010) read with sub-rule (6) of rule 8 and sub-rule (4) of rule 11 of the Legal Metrology (Approval of Models) Rules, 2011, as per Schedule Seventh of the Legal Metrology (General) Rules, 2011, the Central Government hereby issues the certificate of approval of model of automatic gravimetric filling instrument belonging to accuracy class X(x), where x=1 of series "NWB 75S" and with brand name "MASSPEKI" (hereinafter referred to as the said model), manufactured by M/s. EMMPE ASSOCIATES, 2/369 B, Irugur Road, Chinnampalayam, Coimbatore, Tamil Nadu-641062 and which is assigned the approval mark IND/09/26/ 149 (the picture of the model is given below as Figure 1);

Technical Data:

Type of instrument	Automatic gravimetric filling instrument
Working Principle	Strain gauge type Load cell based
Accuracy class	X(x) where x=1
Maximum	75 kg
Minimum	10 kg
Scale interval (d)	10 g
Filling speed range	upto 3 fills/min
No.of filling heads	1
No.of weighing heads	1
Power Supply	230 V AC
Load Cell	Make TEDEA HUNTLEIGH. ; Model: 1263; Accuracy Class: C3, Capacity: 100 kg x 2
Type of Display	LCD
Software version	V 6.7
Check Sum	B706BBA4
Usage	All kinds of free flowing material

Figure 1



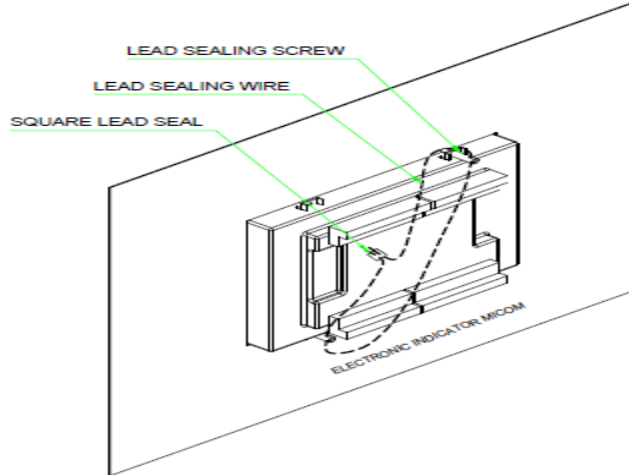


Figure 2

A typical schematic diagram and photograph of the sealing provision to prevent the fraudulent practices of the model is given above as Figure 2. A dip switch has also been provided in the motherboard/PCB to disable access to external calibration.

Further, in exercise of the power conferred by sub-rule (9) of rule 8 of the Legal Metrology (Approval of Models) Rules, 2011, the Central Government hereby declares that this certificate of approval of the said model shall also cover the automatic gravimetric filling instruments of similar make, accuracy and performance of same series with capacities up to 75kg manufactured by the same manufacturer in accordance with the same principle, design and with the same materials with which the said approved model has been manufactured.

[F.No. I-21/81/2026-W&M Section]



Director (Legal Metrology) to Govt. of India/ (Ashutosh Agarwal/आशुतोष अग्रवाल)
निदेशक (विधिक माप विज्ञान) भारत सरकार

Phone/दूरभाष 01123389489

Email/ई-मेल: dirwm-ca@nic.in

Online Application No. 23829