



[I-21/48/2025-W&M Section]  
GOVERNMENT OF INDIA/भारत सरकार  
MINISTRY OF CONSUMER AFFAIRS, FOOD AND PUBLIC DISTRIBUTION  
उपभोक्ता मामले, खाद्य एवं सार्वजनिक वितरण मंत्रालय  
DEPARTMENT OF CONSUMER AFFAIRS/ उपभोक्ता मामले विभाग  
LEGAL METROLOGY DIVISION/ विधिक मापविज्ञान प्रभाग

Krishi Bhawan/कृषि भवन, नई दिल्ली  
Dated/दिनांक-: 05.03.2025

Certificate of Approval of Model/ मॉडल का अनुमोदन प्रमाणपत्र

Whereas the Central Government, after considering the report submitted to it by prescribed authority, is satisfied that the model described in the said report (see the figure given below) is in conformity with the provisions of the Legal Metrology Act, 2009 (1 of 2010) and the Legal Metrology (Approval of Models) Rules, 2011 and the said model is likely to maintain its accuracy over periods of sustained use and to render accurate service under varied conditions;

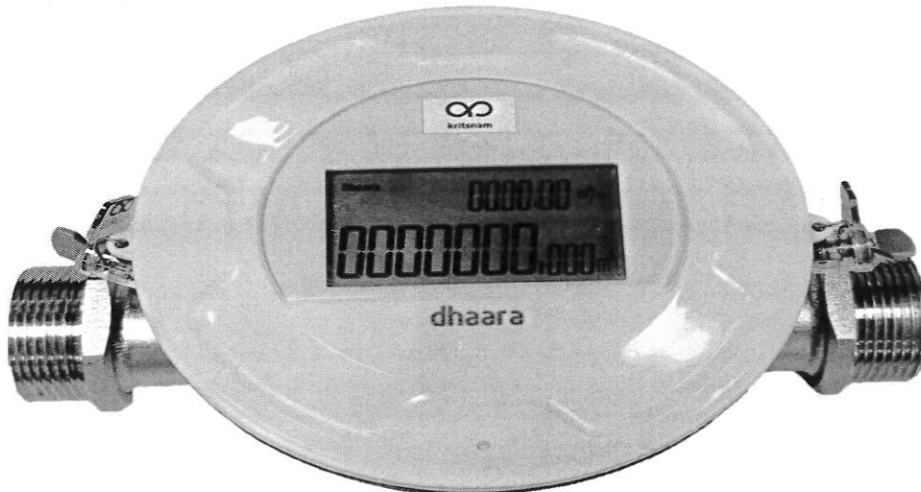
Now, therefore, in exercise of the powers conferred by section 22 of the Legal Metrology Act, 2009 (1 of 2010) read with sub-rule (6) of rule 8 and sub-rule (4) of rule 11 of the Legal Metrology (Approval of Models) Rules, 2011, as per OIML R 49, the Central Government hereby issues the certificate of approval of the model of water meter (Ultrasonic) of accuracy class 2 (hereinafter referred to as the said model) of series "Dhaara" and with brand name "KRITSNAM" manufactured by M/s. KRITSNAM TECHNOLOGIES PRIVATE LIMITED, Plot No. 347, Road No. 22, Jubilee Hills, Hyderabad-500033 and which is assigned the approval mark IND/09/25/68 (the picture of the model is given below as Figure 1);

The said model is a water meter (ultrasonic) which is based on principle of ultrasonic sensing.

Technical Data:

Accuracy Class	2
DN Size	32 mm
Flow Rates	Q <sub>1</sub> = 0.025 m <sup>3</sup> /h Q <sub>2</sub> = 0.04 m <sup>3</sup> /h Q <sub>3</sub> = 10 m <sup>3</sup> /h Q <sub>4</sub> = 12.5 m <sup>3</sup> /h
Type of Display	LCD
No. of digits	10 (xxxxxxx.xxx m <sup>3</sup> )
Power Supply	3.6V DC

Figure-1





Sealing Diagram

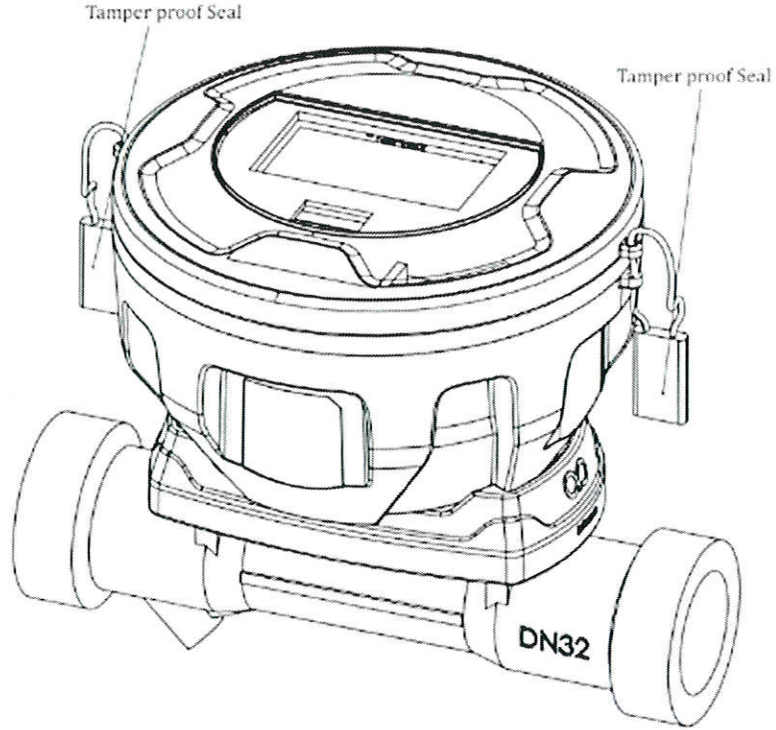


Figure 2

Sealing is done by passing the sealing wire through the hole provided on the enclosure and the top cover. The sealing is done individually and independently at two diametrically opposite points. The calibration could not be performed/alterd without removing the seal and opening the top cover. A typical schematic diagram of sealing provision to prevent the fraudulent practices of the model is given above as Figure 2.

[F.No. I-21/48/2025-W&M Section]

*Ashutosh Agarwal*

(Ashutosh Agarwal/आशुतोष अग्रवाल)  
Director (Legal Metrology) to Govt. of India/ निदेशक (विधिक माप विज्ञान) भारत सरकार  
Phone/दूरभाष 01123389489  
Email/ई-मेल: [dirwm-ca@nic.in](mailto:dirwm-ca@nic.in)

Online Application No. 18845