



[I-21/37/2025-W&M Section]

GOVERNMENT OF INDIA/भारत सरकार
MINISTRY OF CONSUMER AFFAIRS, FOOD AND PUBLIC DISTRIBUTION
उपभोक्ता मामले, खाद्य एवं सार्वजनिक वितरण मंत्रालय
DEPARTMENT OF CONSUMER AFFAIRS/ उपभोक्ता मामले विभाग
LEGAL METROLOGY DIVISION/ विधिक मापविज्ञान प्रभाग

Krishi Bhawan/कृषि भवन, नई दिल्ली
Dated/दिनांक:-: 20 .02.2025

Certificate of Approval of Model/ मॉडल का अनुमोदन प्रमाणपत्र

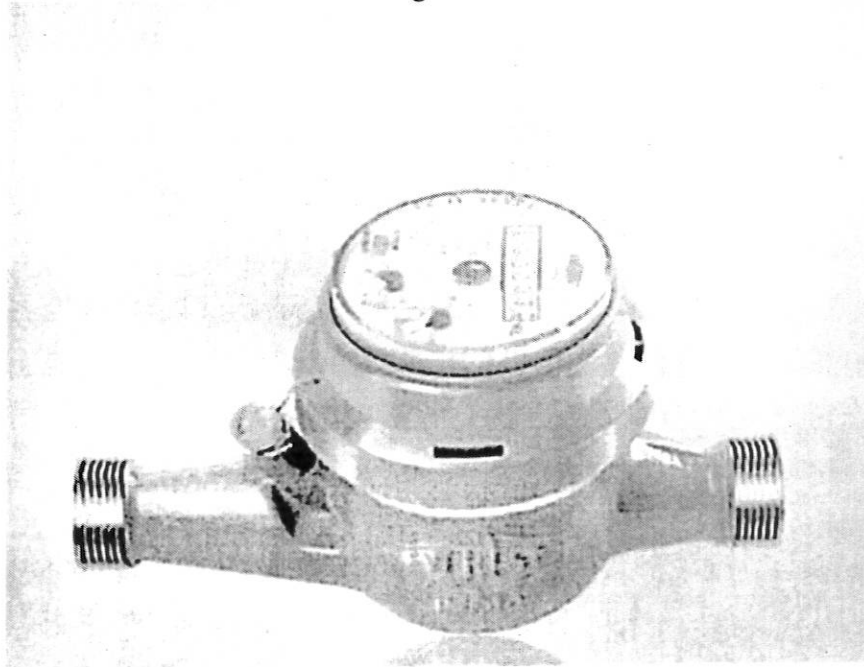
Whereas the Central Government, after considering the report submitted to it by prescribed authority, is satisfied that the model described in the said report (see the figure given below) is in conformity with the provisions of the Legal Metrology Act, 2009 (1 of 2010) and the Legal Metrology (Approval of Models) Rules, 2011 and the said model is likely to maintain its accuracy over periods of sustained use and to render accurate service under varied conditions;

Now, therefore, in exercise of the powers conferred by section 22 of the Legal Metrology Act, 2009 (1 of 2010) read with sub-rule (6) of rule 8 and sub-rule (4) of rule 11 of the Legal Metrology (Approval of Models) Rules, 2011 and as per Schedule Eighth of the Legal Metrology (General) Rules, the Central Government hereby issues the certificate of approval of the model of water meter of accuracy class B (hereinafter referred to as the said model) of series "MWM-S" and with brand name "EVEREST" manufactured by M/s Everest Sanitation (India), B-55, Wazirpur Group Area, Wazirpur, Delhi-110052 and which is assigned the approval mark IND/09/25/ 46 (the picture of the model is given below as Figure 1);

The said model is a mechanical water meter with mechanical dial type display with 9 No. of digits for Display intended for metering portable cold water. Its nominal diameter is 15mm and flow rates is given below as:

Nominal Flow Rate (Qn)	1.5 m ³ /h
Minimum Starting Flow Rate (Qmin)	30 l/h
Transitional Flow Rate (Qt)	120 l/h
Maximum Flow Rate (Qmax)	3 m ³ /h

Figure-1



Size=15mm, Accuracy Class-B, Brand Name =EVEREST,
Model = MWM-S, Class = B

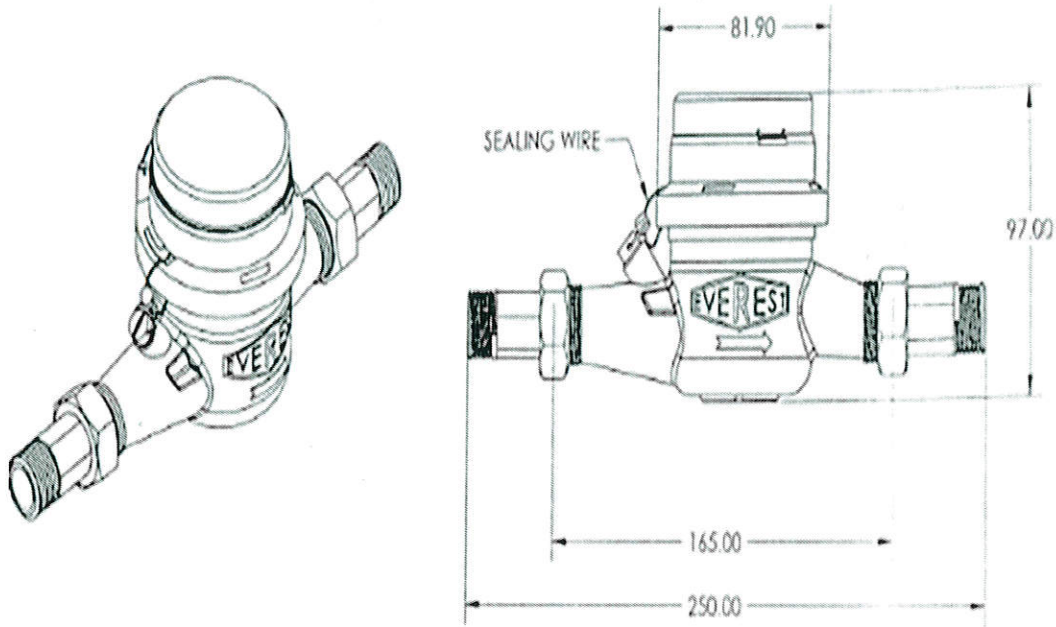


Figure 2

Sealing is done by passing the sealing wire through the hole provided on the body of water meter and a lead seal is put at the end of the wire for stamping purpose. A typical schematic diagram of sealing provision to prevent the fraudulent practices of the model is given above as Figure 2.

[F.No. I-21/37/2025-W&M Section]

(Signature)

(Ashutosh Agarwal/आशुतोष अग्रवाल)
Director (Legal Metrology) to Govt. of India/ निदेशक (विधिक माप विज्ञान) भारत सरकार
Phone/दूरभाष 01123389489
Email/ई-मेल: dirwm-ca@nic.in

Online Application No. 21012