



[I-21/16/2025-W&M Section]

GOVERNMENT OF INDIA/भारत सरकार
MINISTRY OF CONSUMER AFFAIRS, FOOD AND PUBLIC DISTRIBUTION
उपभोक्ता मामले, खाद्य एवं सार्वजनिक वितरण मंत्रालय
DEPARTMENT OF CONSUMER AFFAIRS/ उपभोक्ता मामले विभाग
LEGAL METROLOGY DIVISION/ विधिक मापविज्ञान प्रभाग
Krishi Bhawan/कृषि भवन, नई दिल्ली
Dated/दिनांक:- 10.02.2025

Certificate of Approval of Model/ मॉडल का अनुमोदन प्रमाणपत्र

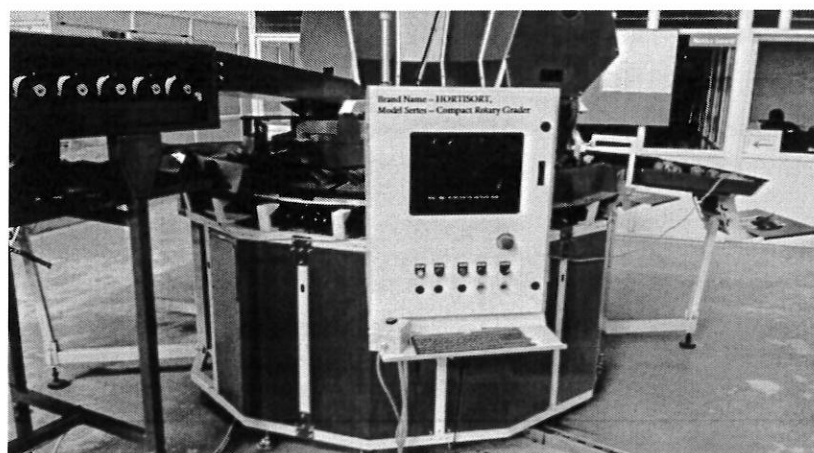
Whereas the Central Government, after considering the report submitted to it by prescribed authority, is satisfied that the model described in the said report (see the figure given below) is in conformity with the provisions of the Legal Metrology Act, 2009 (1 of 2010) and the Legal Metrology (Approval of Models) Rules, 2011 and the said model is likely to maintain its accuracy over periods of sustained use and to render accurate service under varied conditions;

Now, therefore, in exercise of the powers conferred by section 22 of the Legal Metrology Act, 2009 (1 of 2010) read with sub-rule (6) of rule 8 and sub-rule (4) of rule 11 of the Legal Metrology (Approval of Models) Rules, 2011, as per OIML R 51, the Central Government hereby issues the certificate of approval of the model of Automatic Catch weighing instrument (Grading Instrument) with accuracy class-Y(b) of series "Compact Rotary Grader" and with brand name " HORTISORT" (hereafter in this notification referred to as the said model), manufactured by M/s. Zentron Labs Private Limited, G.001 &002 Touch down, HAL Industrial Estate, Vibhuthipura, Bangalore-560037 and which is assigned the approval mark IND/09/25/ 35 (the picture of the model is given below as Figure 1);

Technical Data:

Working Principle	Strain gauge type load cell based
Procedure Adopted for testing & Conformity	OIML R 51 :2006
Maximum capacity	3 kg
Minimum capacity	25 g (5e)
Verification Scale interval (e)	5 g
Speed	2 to 8 units/second
Power Supply	230 V AC,50 Hz AC
Load Cell	Brand Name : Thames Side; Model: T16; Accuracy class: C Type : Bending beam load cell with strain gauge
Display	Liquid Crystal Display (LCD)
Material for grading	Fruit and vegetable items etc.

Figure 1



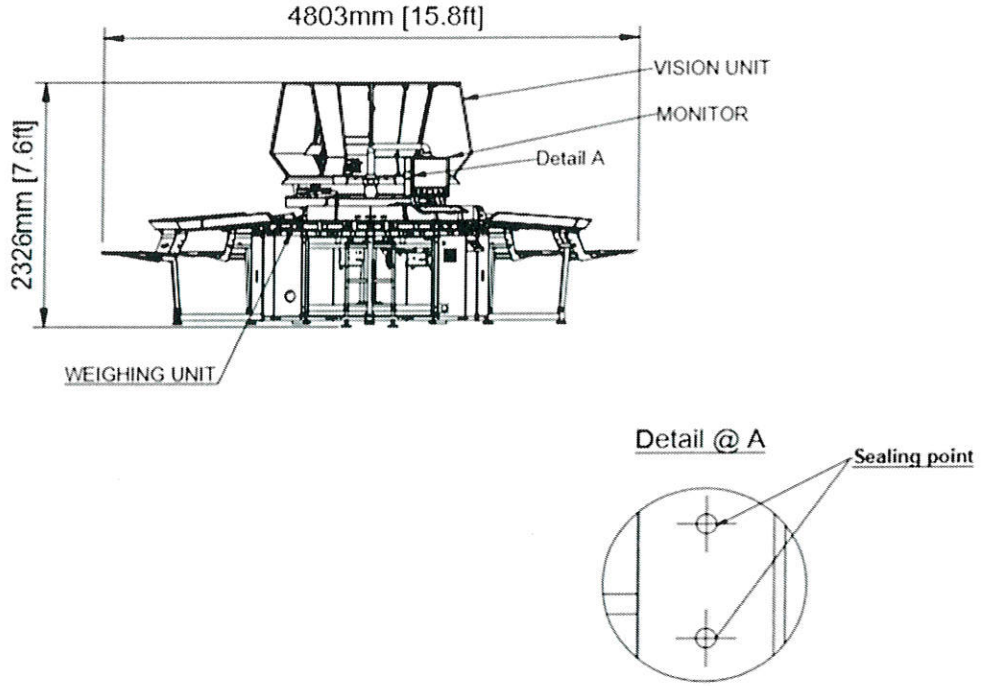


Figure 2

Sealing is done by passing the sealing wire into the screw provided on body of the instrument (a typical schematic diagram of sealing provision to prevent the fraudulent practices of the model is given above as Figure 2). A dip switch has also been provided in mother board to disable access to external calibration.

Further, in exercise of the power conferred by sub-rule (9) of rule 8 of the Legal Metrology (Approval of Models) Rules, 2011, the Central Government hereby declares that this certificate of approval of the said model shall also cover the weighing instruments of similar make, accuracy and performance of same series with capacities upto 5 kg manufactured by the same manufacturer in accordance with the same principle, design and with the same materials with which, the said approved model has been manufactured.

[F.No. I-21/16/2025-W&M Section]

Ashutosh Agarwal

Director (Legal Metrology) to Govt. of India/ निदेशक (विधिक माप विज्ञान) भारत सरकार

Phone/दूरभाष 01123389489
Email/ई-मेल: dirwm-ca@nic.in

Online Application No. 20985