



[I-21/43/2025-W&M Section]  
GOVERNMENT OF INDIA/भारत सरकार  
MINISTRY OF CONSUMER AFFAIRS, FOOD AND PUBLIC DISTRIBUTION  
उपभोक्ता मामले, खाद्य एवं सार्वजनिक वितरण मंत्रालय  
DEPARTMENT OF CONSUMER AFFAIRS/ उपभोक्ता मामले विभाग  
LEGAL METROLOGY DIVISION/ विधिक मापविज्ञान प्रभाग  
Krishi Bhawan/कृषि भवन, नई दिल्ली  
Dated/दिनांक:-: 27. 02..2025

Certificate of Approval of Model/ मॉडल का अनुमोदन प्रमाणपत्र

Whereas the Central Government, after considering the report submitted to it by the prescribed authority, is satisfied that the model described in the said report is in conformity with the provisions of the Legal Metrology Act, 2009 (1 of 2010) and the Legal Metrology (Approval of Models) Rules, 2011 and the said model is likely to maintain its accuracy over periods of sustained use and to render accurate service under varied conditions;

Now, therefore, in exercise of the powers conferred by section 22 of the Legal Metrology Act, 2009 (1 of 2010) read with sub-rule (6) of rule 8 and sub-rule (4) of rule 11 of the Legal Metrology (Approval of Models) Rules, 2011, as per OIML R 129, the Central Government hereby issues the certificate of approval of model of Multi-Dimensional Measuring Instruments of series "TLD850" with brand name "METTLER TOLEDO." (herein after referred to as the said model), manufactured by M/s Mettler-Toledo India Private Limited, Amar Hill, S.V. Road, Powai, Mumbai-400 072 and which is assigned the approval mark IND/09/25/51 (the picture of the model is given below as Figure 1);

The said model works on static dimension measurement that utilizes laser beam sensors and electronics to measure the dimension of opaque objects of cuboid shape. The dimension ((L X W X H) is (120 X 90 X 90) cm, the Minimum range is (5 X 5 X 2) cm and scale interval "d" is (0.5 X 0.5 X 0.2) cm. The result is displayed on touch screen TFT. The instrument operates on 230 Volts alternating current /24 Volts direct current. It is used as multi-dimensional measuring instrument.

Figure-1



**Make: Mettler Toledo**

**Model: TLD850**

**Max: 120 x 90 x 90 cm**

**Min: 5 x 5 x 2 cm**

**d: 0.5 x 0.5 x 0.2 cm**

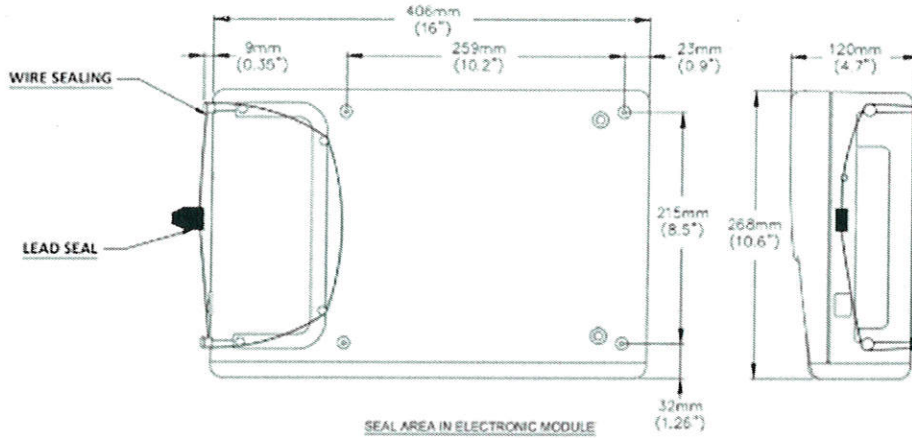


Figure-2

Sealing is done by passing the sealing wire through the holes provided on the body of machine (a typical schematic diagram of sealing provision to prevent the fraudulent practices of the model is given above as Figure 2). A dip switch has also been provided in mother board/PCB to disable access to external calibration.

Further, in exercise of the power conferred by sub-rule (9) of rule 8 of the Legal Metrology (Approval of Models) Rules, 2011, the Central Government hereby declares that this certificate of approval of the said model shall also cover the multi-dimensional measuring instruments of similar make, accuracy and performance of same series with capacities L = upto 200 cm, W = upto 150 cm, H = upto 150 cm manufactured by the same manufacturer in accordance with the same principle, design and with the same materials with which, the said approved model has been manufactured.

[F.No. I-21/43/2025-W&M Section]

*Ashutosh Agarwal*

(Ashutosh Agarwal/आशुतोष अग्रवाल)

Director (Legal Metrology) to Govt. of India/निदेशक (विधिक माप विज्ञान) भारत सरकार

Phone/दूरभाष 01123389489

Email/ई-मेल: [dirwm-ca@nic.in](mailto:dirwm-ca@nic.in)

Online Application No. 20942